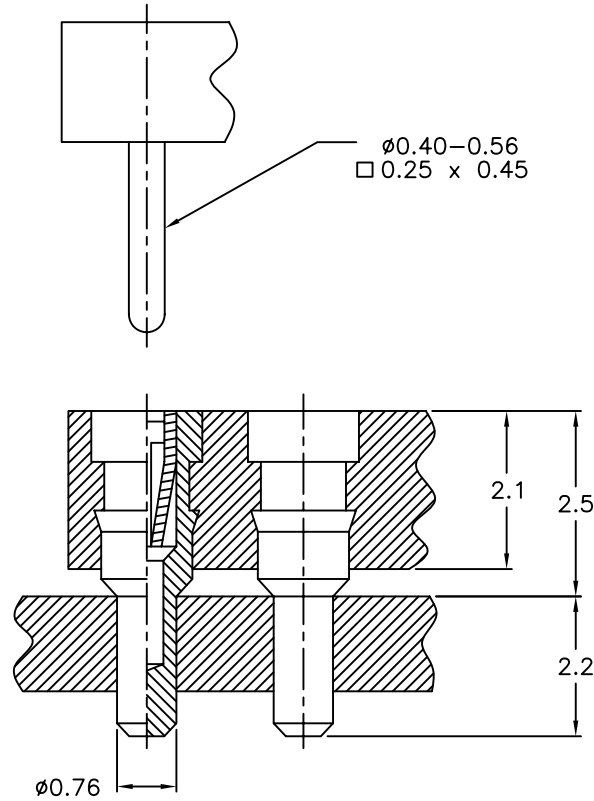


All information on this drawing is proprietary and may not be reproduced in any manner or made available to any unauthorized person/party without written permission of ALPHA PRODUCTS, INC.

| REVISIONS | | | |
|-----------|-------------|------|----------|
| REV. | DESCRIPTION | DATE | APPROVED |
| | | | |

- MARKING:
 BAGGING:
 PACKING:
 LOGO (ALPHA ONLY):
 FULL LOGO:




| REF NUMBER | PLATING | |
|-------------|---------|------|
| | SLEEVE | CLIP |
| 300/233C-H1 | TIN | GOLD |
| 300/233C-H2 | GOLD | GOLD |

2. ALL DIMENSIONS ARE FOR REFERENCE ONLY.
 1. ALL DIMENSIONS ARE IN MM.

NOTES:

| | | |
|-------------|-----|-----|
| | | |
| 847 | | |
| VCN | CCN | AQE |
| APPLICATION | | |

| ITEM # | QTY REQD | UNIT MEASURE | PART OR IDENTIFYING NO. | NOMENCLATURE OR DESCRIPTION | MATERIAL SPECIFICATION |
|---|----------|--------------|--|-----------------------------|---|
| PARTS LIST | | | | | |
| TOLERANCES (UNLESS OTHERWISE SPECIFIED) | | | CONTRACT NO. | |  351 IRVING DR, OXNARD, CA 93030 USA TEL: (805)981-8666 FAX: (805)988-6555 E-MAIL: info@alpha-products.com |
| MATERIAL | | | APPROVALS | DATE | |
| FINISH | | | DRAWN | | |
| | | | CHECKED | | |
| | | | ISSUED | | |
| | | | ULTRA LOW CONTACT FOR PRECISION IC SOCKETS | | |
| SIZE | | FSCM NO. | DWG NO. | | REV. |
| B | | 8U759 | 300/233C-H | | |
| DO NOT SCALE DRAWING | | | SCALE NONE | | SHEET 1 OF 1 |