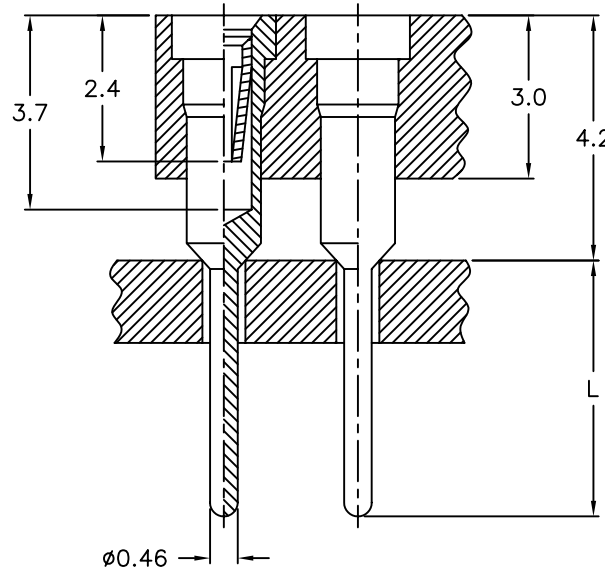
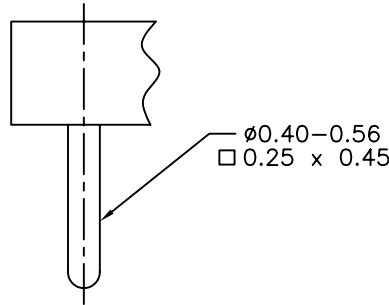


All information on this drawing is proprietary and may not be reproduced in any manner or made available to any unauthorized person/party without written permission of ALPHA PRODUCTS, INC.

REVISIONS			
REV.	DESCRIPTION	DATE	APPROVED

- MARKING:
- BAGGING:
- PACKING:
- LOGO (ALPHA ONLY):
- FULL LOGO:



REF NUMBER	SOLDER TAIL (DIM "L")
300/233C-G1	4.2
300/233C-G2	5.5

- 3. SLEEVE TIN PLATED, CLIP GOLD PLATED.
- 2. ALL DIMENSIONS ARE FOR REFERENCE ONLY.
- 1. ALL DIMENSIONS ARE IN MM.

NOTES:

847		
VCN	CCN	AQE
APPLICATION		

ITEM #	QTY REQD	UNIT MEASURE	PART OR IDENTIFYING NO.	NOMENCLATURE OR DESCRIPTION	MATERIAL SPECIFICATION
PARTS LIST					
TOLERANCES (UNLESS OTHERWISE SPECIFIED)			CONTRACT NO.		351 IRVING DR, OXNARD, CA 93030 USA TEL: (805)981-8666 FAX: (805)988-6555 E-MAIL: info@alpha-products.com
MATERIAL			APPROVALS	DATE	
FINISH			DRAWN		SOLDER TAIL CONTACT FOR PRECISION IC SOCKETS
			CHECKED		
			ISSUED		SIZE B FSCM NO. 8U759 DWG NO. 300/233C-G REV.
DO NOT SCALE DRAWING			SCALE NONE		SHEET 1 OF 1