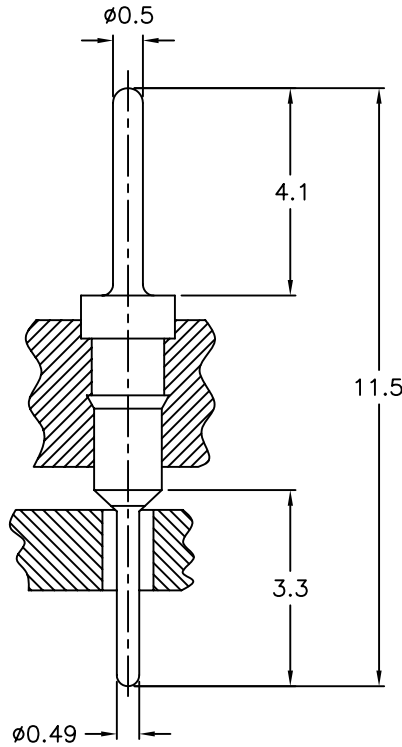


All information on this drawing is proprietary and may not be reproduced in any manner or made available to any unauthorized person/party without written permission of ALPHA PRODUCTS, INC.

| REVISIONS | | | |
|-----------|-------------|------|----------|
| REV. | DESCRIPTION | DATE | APPROVED |
| | | | |

- MARKING:
 BAGGING:
 PACKING:
 LOGO (ALPHA ONLY):
 FULL LOGO:



| REF NUMBER | PLATING |
|-------------|---------|
| 300/233C-E1 | TIN |
| 300/233C-E2 | GOLD |

2. ALL DIMENSIONS ARE FOR REFERENCE ONLY.
 1. ALL DIMENSIONS ARE IN MM.

NOTES:

| QTY | UNIT | MEASURE |
|-------------|------|---------|
| | | |
| 847 | | |
| VCN | CCN | AQE |
| APPLICATION | | |

| ITEM # | QTY REQD | UNIT MEASURE | PART OR IDENTIFYING NO. | NOMENCLATURE OR DESCRIPTION | MATERIAL SPECIFICATION |
|---|----------|--------------|-------------------------|-----------------------------|---|
| PARTS LIST | | | | | |
| TOLERANCES (UNLESS OTHERWISE SPECIFIED) | | | | CONTRACT NO. | 351 IRVING DR, OXNARD, CA 93030 USA TEL: (805)981-8666 FAX: (805)988-6555 E-MAIL: info@alpha-products.com |
| MATERIAL | | | | APPROVALS | |
| FINISH | | | | DRAWN | PIN-HEADER CONTACT, 11.5MM, FOR PRECISION IC SOCKETS |
| | | | | CHECKED | |
| | | | | ISSUED | SIZE B FSCM NO. 8U759 DWG NO. 300/233C-E REV. |
| DO NOT SCALE DRAWING | | | | SCALE NONE | SHEET 1 OF 1 |