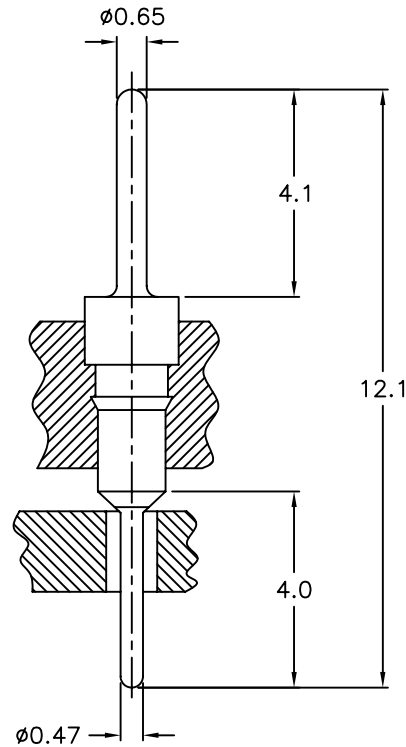


CAD NO. 233C-D SH REV.

All information on this drawing is proprietary and may not be reproduced in any manner or made available to any unauthorized person/party without written permission of ALPHA PRODUCTS, INC.

REVISIONS			
REV.	DESCRIPTION	DATE	APPROVED

- MARKING:
- BAGGING:
- PACKING:
- LOGO (ALPHA ONLY):
- FULL LOGO:



REF NUMBER	PLATING
300/233C-D1	TIN
300/233C-D2	GOLD

2. ALL DIMENSIONS ARE FOR REFERENCE ONLY.
 1. ALL DIMENSIONS ARE IN MM.

NOTES:

847		
VCN	CCN	AQE
APPLICATION		

ITEM #	QTY REQD	UNIT MEASURE	PART OR IDENTIFYING NO.	NOMENCLATURE OR DESCRIPTION	MATERIAL SPECIFICATION
PARTS LIST					
TOLERANCES (UNLESS OTHERWISE SPECIFIED)			CONTRACT NO.		<p>351 IRVING DR, OXNARD, CA 93030 USA TEL: (805)981-8666 FAX: (805)988-6555 E-MAIL: info@alpha-products.com</p>
MATERIAL			APPROVALS	DATE	
FINISH			DRAWN		
			CHECKED		
			ISSUED		
			PIN-HEADER CONTACT, 12.1MM, FOR PRECISION IC SOCKETS		
SIZE		FSCM NO.	DWG NO.		REV.
B		8U759	300/233C-D		
SCALE			NONE		SHEET 1 OF 1

DO NOT SCALE DRAWING