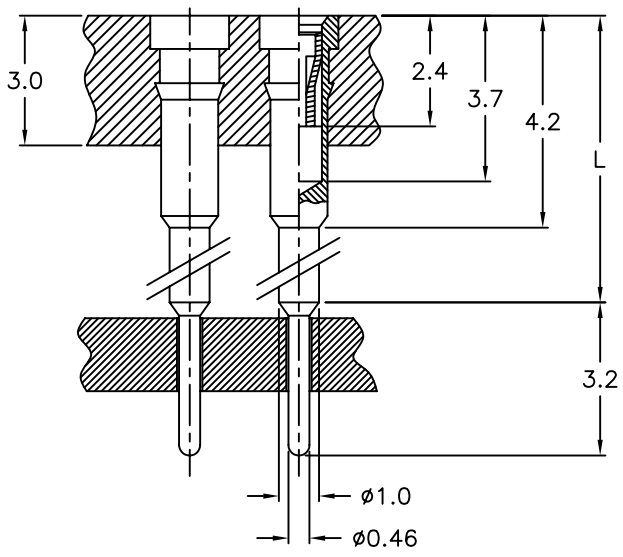
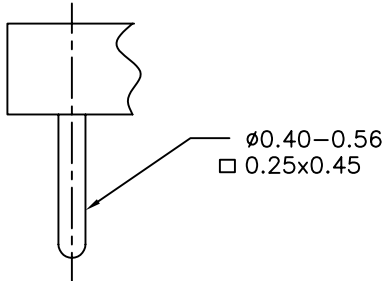


All information on this drawing is proprietary and may not be reproduced in any manner or made available to any unauthorized person/party without written permission of ALPHA PRODUCTS, INC.

REVISIONS			
REV.	DESCRIPTION	DATE	APPROVED

- MARKING:
- BAGGING:
- PACKING:
- LOGO (ALPHA ONLY):
- FULL LOGO:



REF NUMBER	GAP (DIM "L")
300/233C-C1	5.9
300/233C-C2	8.0
300/233C-C3	9.0
300/233C-C4	10.1
300/233C-C5	11.9
300/233C-C6	15.0
300/233C-C7	18.0

- 3. SLEEVE TIN PLATED, CLIP GOLD PLATED.
- 2. ALL DIMENSIONS ARE FOR REFERENCE ONLY.
- 1. ALL DIMENSIONS ARE IN MM.

NOTES:

847		
VCN	CCN	AQE
APPLICATION		

ITEM #	QTY REQD	UNIT MEASURE	PART OR IDENTIFYING NO.	NOMENCLATURE OR DESCRIPTION	MATERIAL SPECIFICATION
PARTS LIST					
TOLERANCES (UNLESS OTHERWISE SPECIFIED)			CONTRACT NO.		<p>351 IRVING DR, OXNARD, CA 93030 USA TEL: (805)981-8666 FAX: (805)988-6555 E-MAIL: info@alpha-products.com</p>
MATERIAL			APPROVALS	DATE	
FINISH			DRAWN		
			CHECKED		
			ISSUED		
DO NOT SCALE DRAWING			INTERCONNECT CONTACT FOR PRECISION IC SOCKETS SIZE B FSCM NO. 8U759 DWG NO. 300/233C-C REV.		
APPLICATION			SCALE NONE SHEET 1 OF 1		