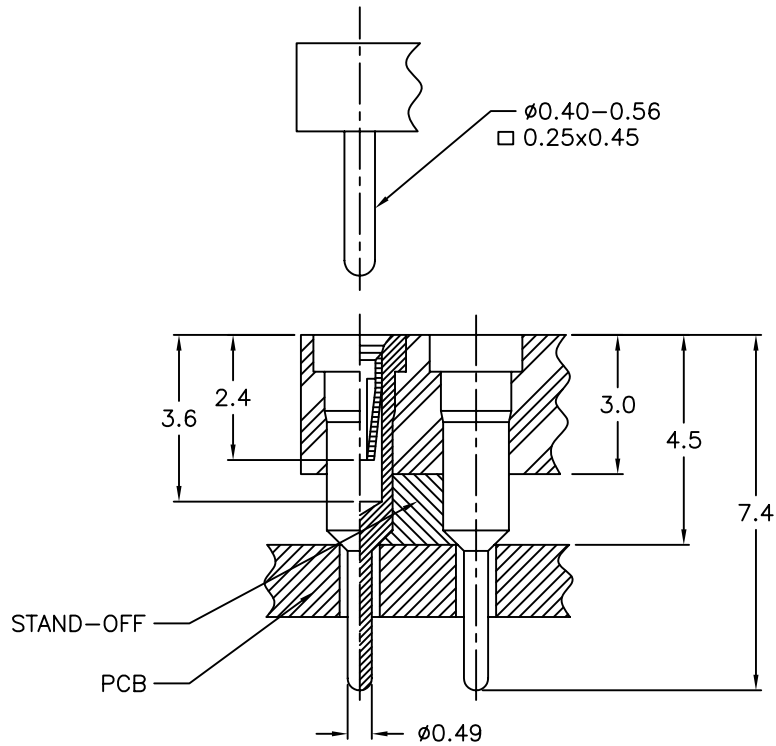


All information on this drawing is proprietary and may not be reproduced in any manner or made available to any unauthorized person/party without written permission of ALPHA PRODUCTS, INC.

REVISIONS			
REV.	DESCRIPTION	DATE	APPROVED

- MARKING:
- BAGGING:
- PACKING:
- LOGO (ALPHA ONLY):
- FULL LOGO:



REF NUMBER	PLATING	
	SLEEVE	CLIP
300/233C-A1	TIN	GOLD
300/233C-A2	GOLD	GOLD

2. ALL DIMENSIONS ARE FOR REFERENCE ONLY.  
 1. ALL DIMENSIONS ARE IN MM.

NOTES:

847		
VCN	CCN	AQE
APPLICATION		

ITEM #	QTY REQD	UNIT MEASURE	PART OR IDENTIFYING NO.	NOMENCLATURE OR DESCRIPTION	MATERIAL SPECIFICATION
PARTS LIST					
TOLERANCES (UNLESS OTHERWISE SPECIFIED)				CONTRACT NO.	351 IRVING DR, OXNARD, CA 93030 USA TEL: (805)981-8666 FAX: (805)988-6555 E-MAIL: info@alpha-products.com
MATERIAL				APPROVALS	
FINISH				DRAWN	
				CHECKED	
				ISSUED	
DO NOT SCALE DRAWING				STD CONTACT FOR PRECISION IC SOCKETS SIZE B FSCM NO. 8U759 DWG NO. 300/233C-A REV.	
APPLICATION				SCALE NONE	SHEET 1 OF 1