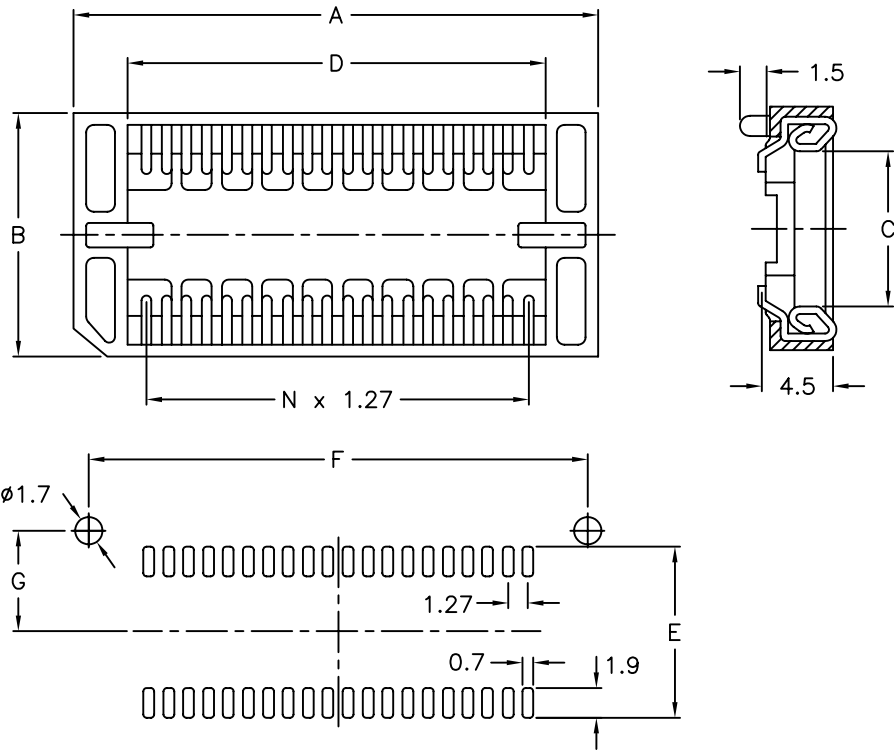


All information on this drawing is proprietary and may not be reproduced in any manner or made available to any unauthorized person/party without written permission of ALPHA PRODUCTS, INC.

- MARKING:
- BAGGING:
- PACKING:
- LOGO (ALPHA ONLY):
- FULL LOGO:

REVISIONS			
REV.	DESCRIPTION	DATE	APPROVED



PART NUMBER	# OF CONTACTS	DIM "A"	DIM "B"	DIM "C"	DIM "D"	DIM "E"	DIM "F"	DIM "G"
300/233C1092224	24	23.26	13.87	8.15	16.36	8.76	20.63	5.33
300/233C1092226	26	24.53	13.87	8.15	17.63	8.76	21.59	5.33
300/233C1092228	28	25.80	13.87	8.15	18.90	8.76	22.86	5.33
300/233C1092328		25.78	16.40	10.69	18.88	11.30	22.86	6.60
300/233C1092232	32	28.34	13.87	8.15	21.44	8.76	25.40	5.33
300/233C1092332		28.32	16.40	10.69	21.42	11.30	29.46	6.60
300/233C1092236	36	30.86	16.40	10.69	23.96	11.30	27.94	6.60
300/233C1092240	40	33.40	16.40	10.69	26.50	11.30	30.48	6.60
300/233C1092242	42	34.67	16.40	10.69	27.77	11.30	31.75	6.60

2. ALL DIMENSIONS ARE FOR REFERENCE ONLY.
 1. ALL DIMENSIONS ARE IN MM.

NOTES:

847		
VCN	CCN	AGE
APPLICATION		

ITEM #	QTY REQD	UNIT MEASURE	PART OR IDENTIFYING NO.	NOMENCLATURE OR DESCRIPTION	MATERIAL SPECIFICATION	
PARTS LIST						
TOLERANCES (UNLESS OTHERWISE SPECIFIED)				CONTRACT NO.	351 IRVING DR, OXNARD, CA 93030 USA TEL: (805)981-8666 FAX: (805)988-6555 E-MAIL: info@alpha-products.com	
MATERIAL				APPROVALS		DATE
FINISH				DRAWN		
				CHECKED		
				ISSUED		
DO NOT SCALE DRAWING				SOCKET, 24-42 POS, 1.27MM PITCH, SURFACE MOUNT, W/POSTS		
				SIZE	REV.	
				B		
				FSCM NO.	DWG NO.	
				8U759	300/233C10922XX-3XX	
			SCALE	SHEET		
			NONE	1 OF 1		