

CAD NO. 233C1075338g

SH

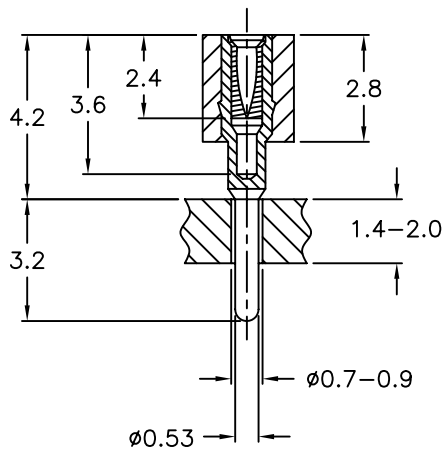
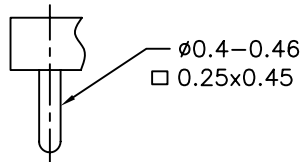
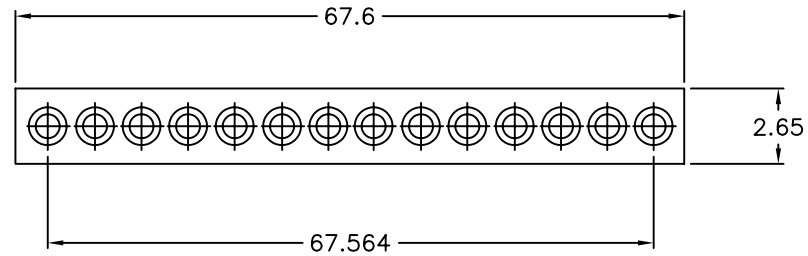
REV.

All information on this drawing is proprietary and may not be reproduced in any manner or made available to any unauthorized person/party without written permission of ALPHA PRODUCTS, INC.

REVISIONS

REV.	DESCRIPTION	DATE	APPROVED


- MARKING:
- BAGGING:
- PACKING:
- LOGO (ALPHA ONLY):
- FULL LOGO:



2. ALL DIMENSIONS ARE FOR REFERENCE ONLY.
1. ALL DIMENSIONS ARE IN MM.

NOTES:

847		
VCN	CCN	AQE
APPLICATION		

ITEM #	QTY. REQD	UNIT MEASURE	PART OR IDENTIFYING NO.	NOMENCLATURE OR DESCRIPTION	MATERIAL SPECIFICATION	
PARTS LIST						
TOLERANCES (UNLESS OTHERWISE SPECIFIED)				CONTRACT NO.	 351 IRVING DR, OXNARD, CA 93030 USA TEL: (805)981-8666 FAX: (805)988-6555 E-MAIL: info@alpha-products.com	
MATERIAL				APPROVALS		DATE
FINISH				DRAWN		
				CHECKED		
				ISSUED		
DO NOT SCALE DRAWING				SIZE	REV.	
				B		
				FSCM NO.	DWG NO.	
				8U759	300/233C1075338	
				SCALE	SHEET	
				NONE	1 OF 1	