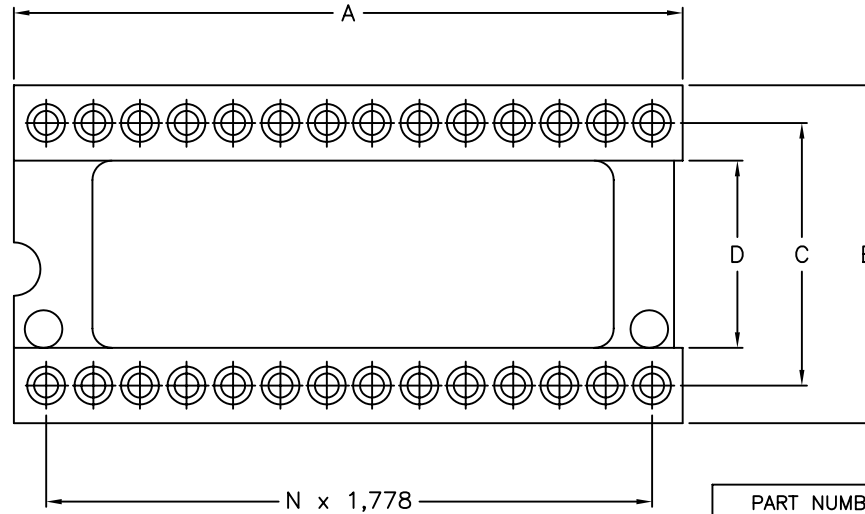


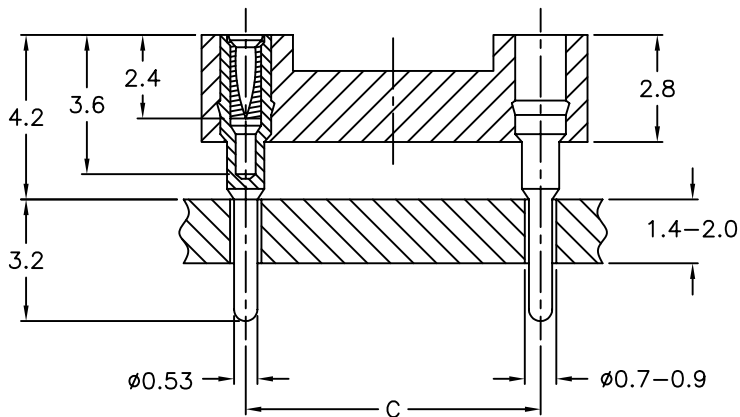
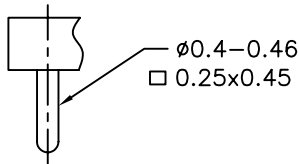
All information on this drawing is proprietary and may not be reproduced in any manner or made available to any unauthorized person/party without written permission of ALPHA PRODUCTS, INC.

- MARKING:
- BAGGING:
- PACKING:
- LOGO (ALPHA ONLY):
- FULL LOGO:

REVISIONS			
REV.	DESCRIPTION	DATE	APPROVED



PART NUMBER	# OF CONTACTS	DIM "A"	DIM "B"	DIM "C"	DIM "D"
300/233C1075016	16	14.6	10.16	7.62	4.4
300/233C1075020	20	18.1	17.78	15.24	10.1
300/233C1075024	24	21.55	17.78	15.24	10.1
300/233C1075028	28	25.2	12.7	10.16	6.5
300/233C1075128	28	25.2	17.78	15.24	10.1
300/233C1075030	30	27.0	12.7	10.16	6.5
300/233C1075032	32	28.8	12.7	10.16	6.5
300/233C1075040	40	35.9	17.78	15.24	10.1
300/233C1075042	42	37.7	17.78	15.24	10.1
300/233C1075048	48	43.1	17.78	15.24	10.1
300/233C1075052	52	46.6	17.78	15.24	10.1
300/233C1075056	56	50.0	17.78	15.24	10.1
300/233C1075064	64	57.2	17.78	15.24	10.1
300/233C1075164	64	60.8	17.78	15.24	10.1
300/233C1075068	68	57.2	21.59	19.05	14.2



2. ALL DIMENSIONS ARE FOR REFERENCE ONLY.
 1. ALL DIMENSIONS ARE IN MM.

NOTES:

847		
VCN	CCN	AQE
APPLICATION		

ITEM #	QTY REQD	UNIT MEASURE	PART OR IDENTIFYING NO.	NOMENCLATURE OR DESCRIPTION	MATERIAL SPECIFICATION
PARTS LIST					
TOLERANCES (UNLESS OTHERWISE SPECIFIED)			CONTRACT NO.		
MATERIAL			APPROVALS		
FINISH			DATE		
DO NOT SCALE DRAWING			ISSUED		

ALPHA PRODUCTS, INC.

351 IRVING DR, OXNARD, CA 93030 USA
 TEL: (805)981-8666 FAX: (805)988-6555
 E-MAIL: info@alpha-products.com

SOCKET, HD, 0.070" (1.778mm) PITCH,
OPEN FRAME

SIZE	FSCM NO.	DWG NO.	REV.
B	8U759	300/233C1075-Odbl	

SCALE NONE SHEET 1 OF 1