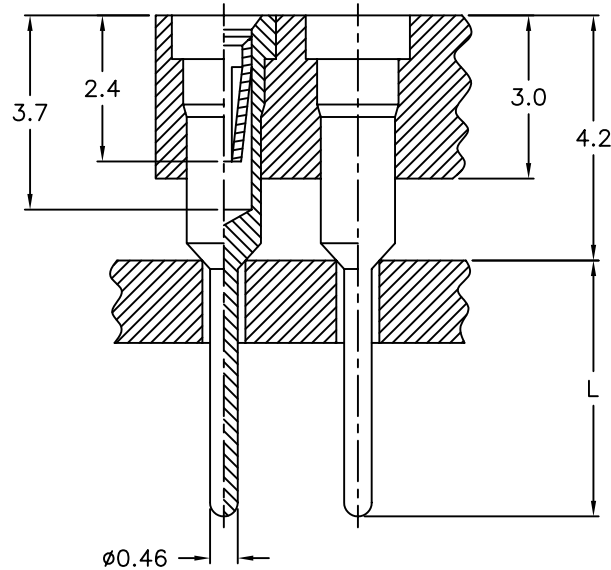
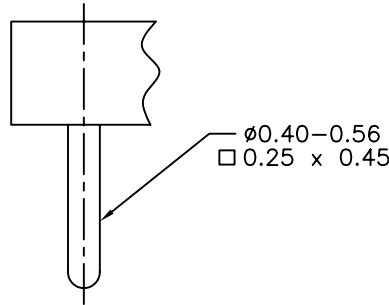


CAD NO. 233C1079g SH REV.

All information on this drawing is proprietary and may not be reproduced in any manner or made available to any unauthorized person/party without written permission of ALPHA PRODUCTS, INC.

REVISIONS			
REV.	DESCRIPTION	DATE	APPROVED

- MARKING:
- BAGGING:
- PACKING:
- LOGO (ALPHA ONLY):
- FULL LOGO:



REF NUMBER	SOLDER TAIL (DIM "L")
300/233C10791	4.2
300/233C10792	5.5

- 3. SLEEVE TIN PLATED, CLIP GOLD PLATED.
- 2. ALL DIMENSIONS ARE FOR REFERENCE ONLY.
- 1. ALL DIMENSIONS ARE IN MM.

NOTES:

847		
VCN	CCN	AQE
APPLICATION		

ITEM #	QTY REQD	UNIT MEASURE	PART OR IDENTIFYING NO.	NOMENCLATURE OR DESCRIPTION	MATERIAL SPECIFICATION		
PARTS LIST							
TOLERANCES (UNLESS OTHERWISE SPECIFIED)				CONTRACT NO.	 351 IRVING DR, OXNARD, CA 93030 USA TEL: (805)981-8666 FAX: (805)988-6555 E-MAIL: info@alpha-products.com		
MATERIAL				APPROVALS		DATE	
FINISH				DRAWN	SOLDER TAIL CONTACT FOR PRECISION IC SOCKETS		
				CHECKED			
				ISSUED			
DO NOT SCALE DRAWING				SIZE	FSCM NO.	DWG NO.	REV.
				B	8U759	300/233C1079	
				SCALE	NONE	SHEET	1 OF 1