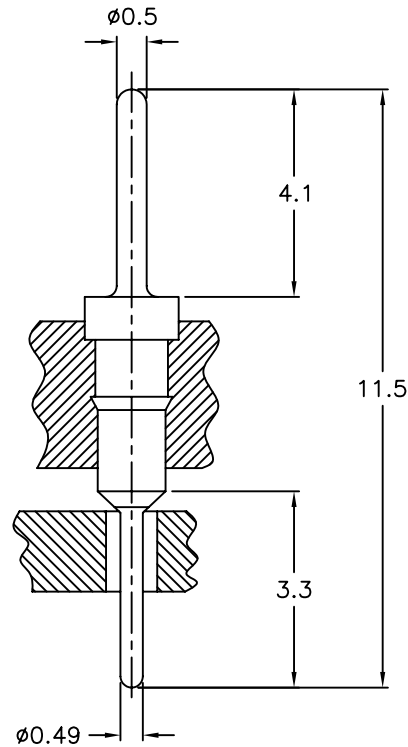


All information on this drawing is proprietary and may not be reproduced in any manner or made available to any unauthorized person/party without written permission of ALPHA PRODUCTS, INC.

REVISIONS			
REV.	DESCRIPTION	DATE	APPROVED

- MARKING:
 BAGGING:
 PACKING:
 LOGO (ALPHA ONLY):
 FULL LOGO:



REF NUMBER	PLATING
300/233C10771	TIN
300/233C10772	GOLD

2. ALL DIMENSIONS ARE FOR REFERENCE ONLY.
 1. ALL DIMENSIONS ARE IN MM.

NOTES:

VCN	CCN	AQE
847		

ITEM #	QTY REQD	UNIT MEASURE	PART OR IDENTIFYING NO.	NOMENCLATURE OR DESCRIPTION	MATERIAL SPECIFICATION
PARTS LIST					
TOLERANCES (UNLESS OTHERWISE SPECIFIED)			CONTRACT NO.		
MATERIAL			APPROVALS		DATE
FINISH			DRAWN		
APPLICATION			CHECKED		
DO NOT SCALE DRAWING			ISSUED		
			351 IRVING DR, OXNARD, CA 93030 USA TEL: (805)981-8666 FAX: (805)988-6555 E-MAIL: info@alpha-products.com		
			PIN-HEADER CONTACT, 11.5MM, FOR PRECISION IC SOCKETS		
SIZE		FSCM NO.	DWG NO.		REV.
B		8U759	300/233C1077		
SCALE			NONE		SHEET 1 OF 1