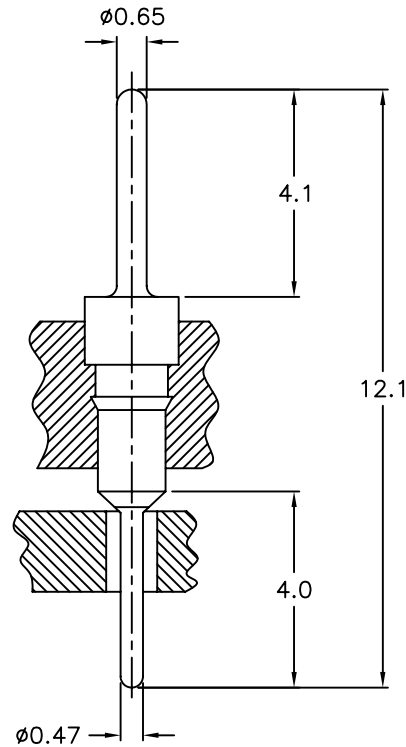


CAD NO. 233C1076g SH REV.

All information on this drawing is proprietary and may not be reproduced in any manner or made available to any unauthorized person/party without written permission of ALPHA PRODUCTS, INC.

| REVISIONS |             |      |          |
|-----------|-------------|------|----------|
| REV.      | DESCRIPTION | DATE | APPROVED |
|           |             |      |          |

- MARKING:
- BAGGING:
- PACKING:
- LOGO (ALPHA ONLY):
- FULL LOGO:



| REF NUMBER    | PLATING |
|---------------|---------|
| 300/233C10761 | TIN     |
| 300/233C10762 | GOLD    |

2. ALL DIMENSIONS ARE FOR REFERENCE ONLY.  
 1. ALL DIMENSIONS ARE IN MM.

NOTES:

|             |     |     |
|-------------|-----|-----|
|             |     |     |
| 847         |     |     |
| VCN         | CCN | AQE |
| APPLICATION |     |     |

| ITEM #                                  | QTY REQD | UNIT MEASURE | PART OR IDENTIFYING NO.                              | NOMENCLATURE OR DESCRIPTION | MATERIAL SPECIFICATION  |
|---|----------|--------------|--|-----------------------------|---|
| PARTS LIST                              |          |              |  |                             |   |
| TOLERANCES (UNLESS OTHERWISE SPECIFIED) |          |              | CONTRACT NO.   |                             | 351 IRVING DR, OXNARD, CA 93030 USA<br>TEL: (805)981-8666 FAX: (805)988-6555<br>E-MAIL: info@alpha-products.com |
| MATERIAL                                |          |              | APPROVALS  | DATE                        |   |
| FINISH                                  |          |              | DRAWN  |                             |   |
|   |          |              | CHECKED  |                             |   |
|   |          |              | ISSUED   |                             |   |
|   |          |              | PIN-HEADER CONTACT, 12.1MM, FOR PRECISION IC SOCKETS |                             |   |
| SIZE                                    |          | FSCM NO.     | DWG NO.  |                             | REV.  |
| B                                       |          | 8U759        | 300/233C1076   |                             |   |
| SCALE                                   |          |              | NONE   |                             | SHEET 1 OF 1  |

DO NOT SCALE DRAWING